

2.7V-14V Vin, 30W Fully Integrated Synchronous Boost Converter

FEATURES

- Wide Input Voltage Range: 2.7V-14.0V
- Wide Output Voltage Range: 4.5V-14.6V
- Fully Integrated High-side/Low-side Power MOSFET : 13mΩ/11mΩ
- Up to 12A Switch Current and Programmable Peak Current Limit
- Typical Shut-down Current: 1uA
- Programmable Switching Frequency: 200kHz-2.2MHz
- Output Overvoltage Protection at 15.4V
- Feedback Overvoltage Protection at 110% of Reference Voltage
- Selectable PFM or Forced PWM Mode
- Programmable Soft Start
- Thermal Shutdown Protection: 150°C
- Available in DFN-20 3.5mmx4.5mm Package

APPLICATIONS

- Bluetooth Audio
- Power Banks
- POS System
- E-Cigarette
- USB Power Delivery

DESCRIPTION

The MST9229 is a high efficiency synchronous boost converter with fully integrated a 13mΩ high-side MOSFET and an 11mΩ low-side MOSFET, supporting 2.7V to 14V input voltage range and up to 12-A switch current. The switch current limit can be adjustable with an external resistor.

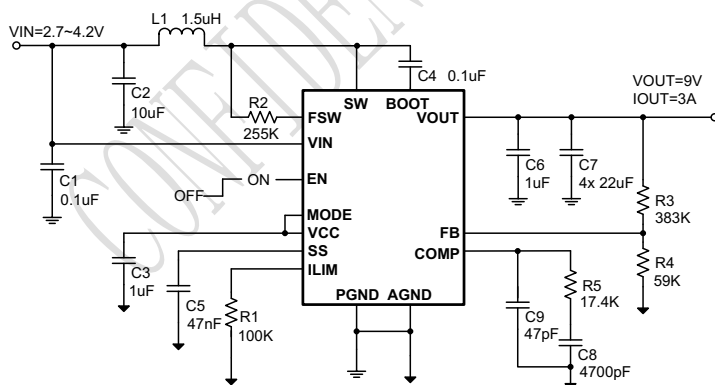
The MST9229 adapts constant off-time peak current control to provide fast transient. An external compensation network allows flexibility setting loop dynamics to achieve optimal transient performance at different load conditions. Using MODE pin selects either Pulse Frequency Modulation (PFM) operation or forced Pulse Width Modulation (PWM) operation. The switching frequency in PWM mode is adjustable from 200KHz to 2.2MHz by an external resistor. The device also features programmable soft-start time with an external capacitor.

The MST9229 monitors both output voltage and feedback voltage to protect overvoltage condition. It features cycle-by-cycle peak current limit and thermal shutdown protection when the device over loads.

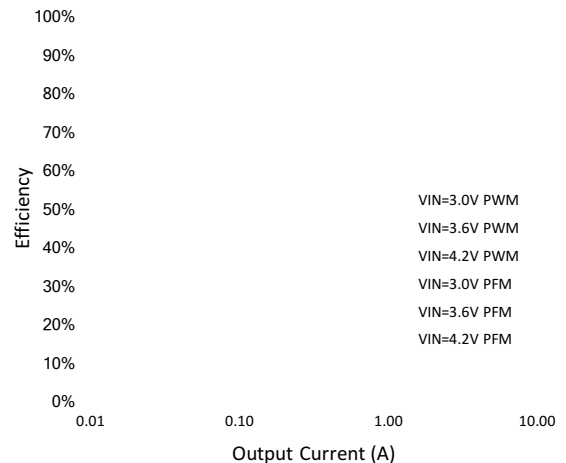
The device is available in a low-profile package DFN-20L 3.5mmx4.5mmx0.75mm with enhanced thermal power pad.

TYPICAL APPLICATION

9V Output, Synchronous Boost Converter



Efficiency



REVISION HISTORY

NOTE: Page numbers for previous revisions may differ from page numbers in the current version.

Revision 1.5 released to market (April 2017).

DEVICE ORDER INFORMATION

PART NUMBER	PACKAGE MARKING	PACKAGE DISCRIPTION
MST9229	TBD	20-Lead 3.5mm×4.5mm Plastic DFN

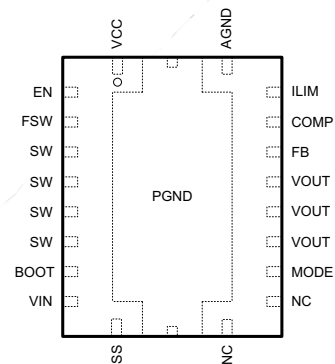
ABSOLUTE MAXIMUM RATINGS

Over operating free-air temperature unless otherwise noted⁽¹⁾

DESCRIPTION	MIN	MAX	UNIT
BOOT	-0.3	23.5	V
VIN, SW, VOUT, FSW	-0.3	18	V
VCC, LIM, FB, EN, SS, COMP, MODE	-0.3	5.5	V
Operating junction temperature T _J ⁽²⁾	-40	125	C
Storage temperature T _{STG}	-65	150	C

PIN CONFIGURATION

Top View: 20-Lead Plastic DFN 3.5mm×4.5mm



- (1) Stresses beyond those listed under Absolute Maximum Rating may cause device permanent damage. The device is not guaranteed to function outside of its Recommended Operation Conditions.
- (2) The IC includes over temperature protection to protect the device during overload conditions. Junction temperature will exceed 150°C when over temperature protection is active. Continuous operation above the specified maximum operating junction temperature will reduce lifetime

PIN FUNCTIONS

NAME	NO.	PIN FUNCTION
VCC	1	Internal linear regulator output. Connect a 1uF or larger ceramic capacitor to ground. VCC cannot to be externally driven. No additional components or loading is recommended on this pin.
EN	2	Enable logic input. A 500KΩ resistor connects this pin to ground inside. Floating disables the device.
FSW	3	Place a resistor from this pin to SW to sets the switching frequency.
SW	4,5,6,7	Switching node of the boost converter.
BOOT	8	Power supply for the high-side power MOSFET gate driver. Must connect a 0.1uF or greater ceramic capacitor between BOOT pin and SW node.
VIN	9	Power supply input. Must be locally bypassed.
SS	10	Place a ceramic cap from this pin to ground to program soft-start time. An internal 5uA current source pulls SS pin to VCC.
NC	11, 12	Not connected inside. Connect to ground plane on PCB for thermal dissipation.
MODE	13	Operation mode selection. 270KΩ internal resistor connects this pin to VCC. Floating or logic high enables PFM mode. Logic low enables forced PWM mode.
VOUT	14,15,16	Boost converter output.



FB	17	Feedback Input. Connect a resistor divider from VOUT to FB to set up output voltage. The device regulates FB to the internal reference value of 1.2V typical.
COMP	18	Output of the error amplifier and switching converter loop compensation point.
ILIM	19	Inductor peak current limit set point input. A resistor connecting this pin to ground sets current limit through low-side power FET.
AGND	20	Analog ground. Analog ground should be used as the common ground for all small signal analog inputs and compensation components. No electrical connection to PGND inside.
PGND	21	Power ground. Must be soldered directly to ground planes using multiple vias directly under the IC for improved thermal performance and electrical contact.

RECOMMENDED OPERATING CONDITIONS

Over operating free-air temperature range unless otherwise noted

PARAMETER	DEFINITION	MIN	MAX	UNIT
V_{IN}	Input voltage range	2.7	14	V
V_{OUT}	Output voltage range	4.5	14.6	V
T_J	Operating junction temperature	-40	125	°C

ESD RATINGS

PARAMETER	DEFINITION	MIN	MAX	UNIT
V_{ESD}	Human Body Model (HBM), per ANSI-JEDEC-JS-001-2014 specification, all pins ⁽¹⁾	-2	+2	kV
	Charged Device Model (CDM), per ANSI-JEDEC-JS-002-2014 specification, all pins ⁽¹⁾	-0.5	+0.5	kV

(1) HBM and CDM stressing are done in accordance with the ANSI/ESDA/JEDEC JS-001-2014 specification

THERMAL INFORMATION

PARAMETER	THERMAL METRIC	DFN-20L	UNIT
$R_{\theta JA}$	Junction to ambient thermal resistance ⁽¹⁾	38	°C/W
$R_{\theta JC}$	Junction to case thermal resistance ⁽¹⁾	39	

(1) MST provides $R_{\theta JA}$ and $R_{\theta JC}$ numbers only as reference to estimate junction temperatures of the devices. $R_{\theta JA}$ and $R_{\theta JC}$ are not a characteristic of package itself, but of many other system level characteristics such as the design and layout of the printed circuit board (PCB) on which the MST9229 is mounted, thermal pad size, and external environmental factors. The PCB board is a heat sink that is soldered to the leads and thermal pad of the MST9229. Changing the design or configuration of the PCB board changes the efficiency of the heat sink and therefore the actual $R_{\theta JA}$ and $R_{\theta JC}$.

ELECTRICAL CHARACTERISTICS
 $V_{IN}=3.6V$, $T_J=-40^{\circ}C\sim 125^{\circ}C$, typical values are tested under $25^{\circ}C$.

SYMBOL	PARAMETER	TEST CONDITION	MIN	TYP	MAX	UNIT
Power Supply and Output						
V_{IN}	Operating input voltage		2.7		14	V
V_{OUT}	Output voltage range		4.5V		14.6	V
V_{IN_UVLO}	Input UVLO Hysteresis	V_{IN} rising		2.6 200	2.7	V mV
I_{SD}	Shutdown current	EN=0, No load. Measured on V_{IN} pin		1	3	μA
I_Q	Quiescent current from V_{IN}	EN=2V, No load, No switching. Measured on V_{IN} pin.		1		μA
	Quiescent current from V_{OUT}			120	150	μA
V_{CC}	Internal linear regulator	$I_{VCC}=5mA$, $V_{IN}=6V$		4.8		V
Reference and Control Loop						
V_{REF}	Reference voltage of FB	FPWM mode	1.170	1.202	1.220	V
		PSM mode	1.192	1.210	1.228	V
I_{FB}	FB pin leakage current	$V_{FB}=1.2V$			100	nA
G_{EA}	Error amplifier trans-conductance	$V_{COMP}=1.5V$		190		μS
I_{COMP_SRC}	Error amplifier maximum source current	$V_{FB}=V_{REF}-200mV$, $V_{COMP}=1.5V$		20		μA
I_{COMP_SNK}	Error amplifier maximum sink current	$V_{FB}=V_{REF}+200mV$, $V_{COMP}=1.5V$		20		μA
V_{COMP_H}	COMP high clamp	$V_{FB}=1V$, $R_{ILIM}=100K\Omega$		1.5		V
V_{COMP_L}	COMP low clamp	$V_{FB}=1.5V$, $R_{ILIM}=100K\Omega$, PFM		0.6		V
Power MOSFETs						
R_{DSON_H}	High side FET on-resistance			13		m Ω
R_{DSON_L}	Low side FET on-resistance			11		m Ω
Current Limit						
I_{LIM}	Peak current limit	$R_{ILIM}=100k\Omega$	10.5	12	13	A
Enable and Mode						
V_{EN}	Enable high threshold	$V_{CC}=5V$			1.2	V
	Enable low threshold			0.4		V
R_{EN}	Enable pull down resistance			800		k Ω
V_{MODE}	MODE high threshold	$V_{CC}=5V$			4	V
	MODE low threshold			1.5		V
R_{MODE}	MODE pull-up resistance			270		k Ω
I_{SS}	Soft-start charging current			5		μA
Switching Frequency						
F_{SW}	Switching frequency	$R_{FSW}=301k$, $V_{OUT}=12V$		500		kHz
t_{ON_MIN}	Minimum on-time	$R_{FSW}=301k$, $V_{OUT}=12V$		150	200	ns
T_{OFF_MIN}	Minimum off-time	$R_{FSW}=301k$, $V_{FB}=0V$		100	150	ns
Protection						
V_{OVP_VOUT}	Output overvoltage threshold	V_{OUT} rising		15.4		V
	Hysteresis			250		mV
V_{OVP_VFB}	Feedback overvoltage with respect to reference voltage	V_{FB} rising		110		%
		V_{FB} falling		105		%

SYMBOL	PARAMETER	TEST CONDITION	MIN	TYP	MAX	UNIT
T _{SD}	Thermal shutdown threshold	T _J rising		150		°C
	Hysteresis			20		°C

TYPICAL CHARACTERISTICS

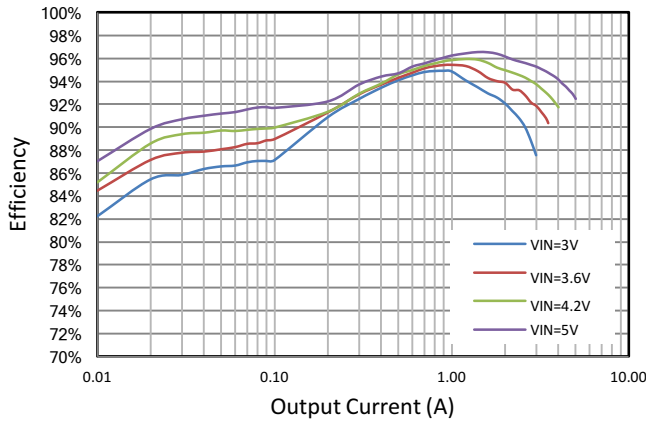


Figure 1. Efficiency, Vout=9V, fsw=560KHz, PFM

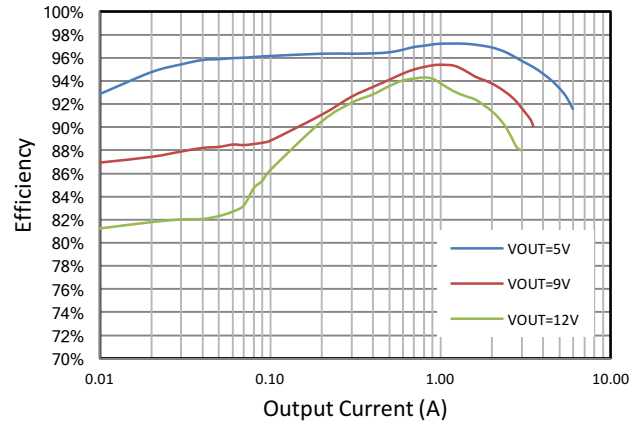


Figure 2. Efficiency, Vin=3.6V, fsw=560KHz, PFM

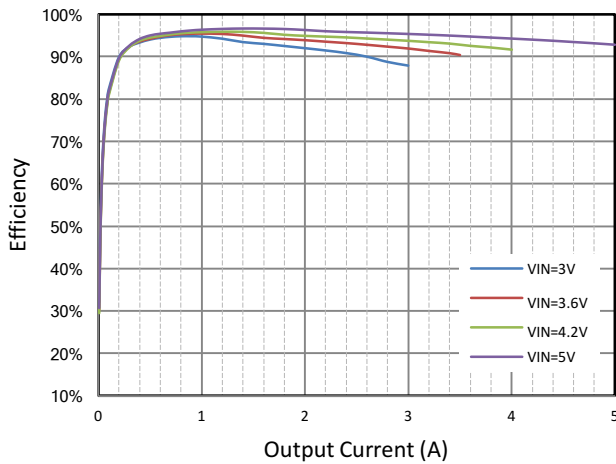


Figure 3. Efficiency, Vout=9V, fsw=560KHz, PWM

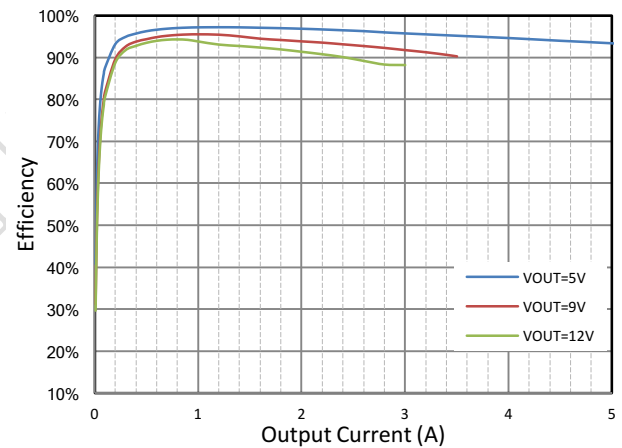


Figure 4. Efficiency, Vin=3.6V, fsw=560KHz, PWM

CONFIDENTIAL

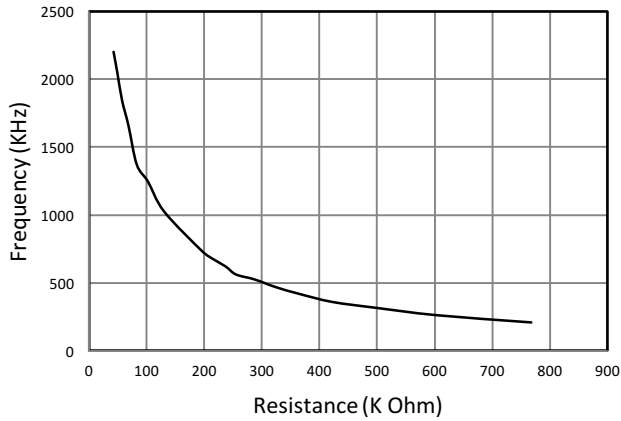


Figure 5. Switching Frequency vs FSW Resistance

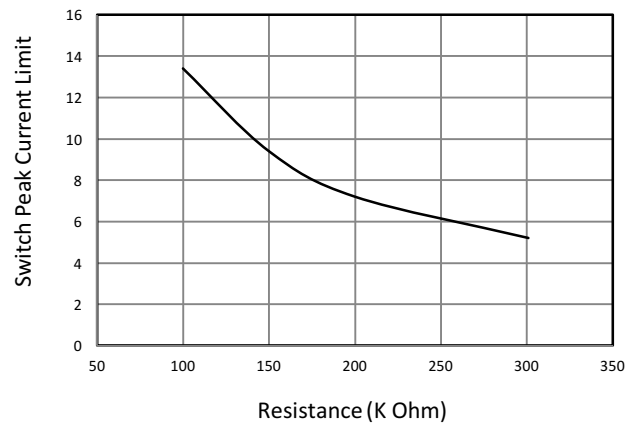


Figure 6. Inductor Peak Current Limit vs RLIM Resistance

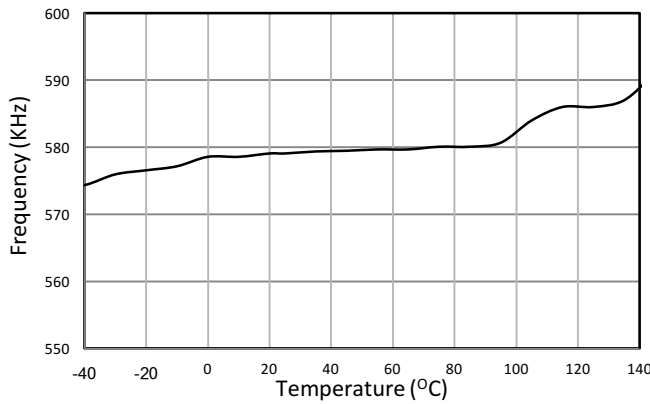


Figure 7. Frequency vs Temperature

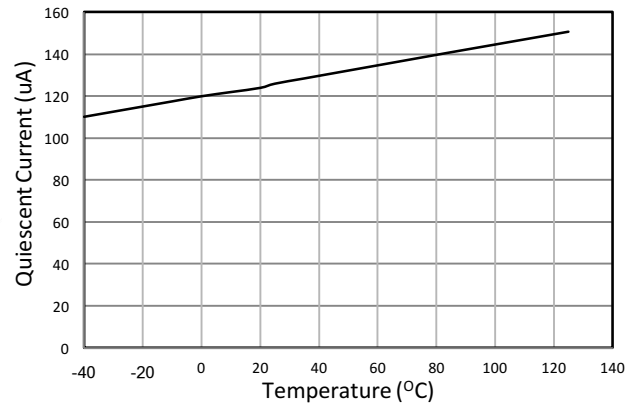


Figure 8. Quiescent Current vs Temperature

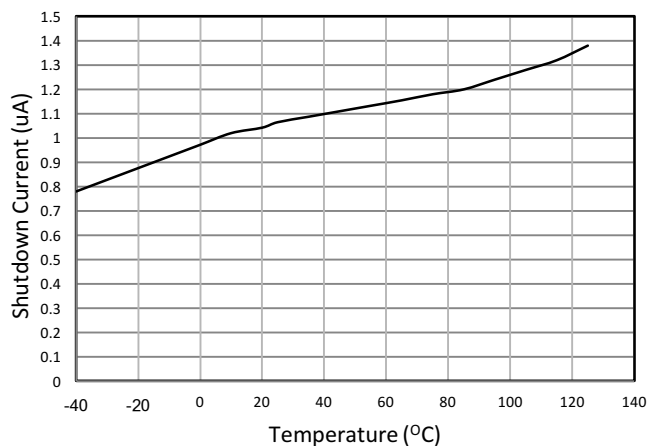


Figure 9. Shutdown Current vs Temperature

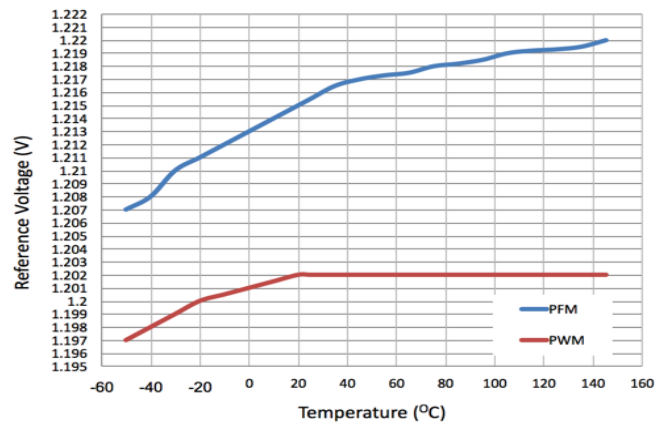


Figure 10. Feedback Reference Voltage vs Temperature

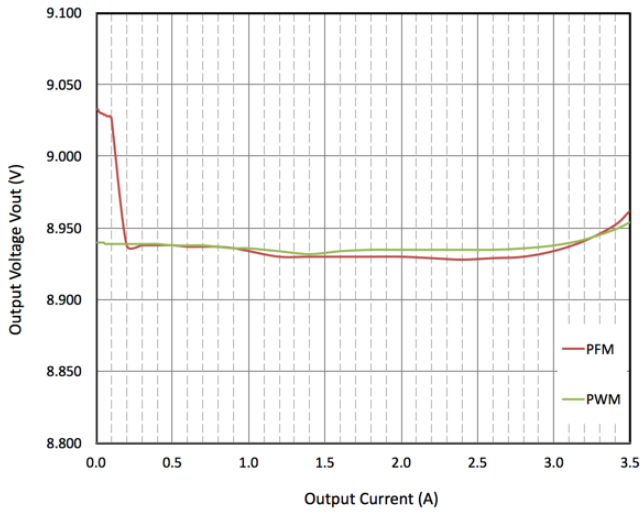


Figure 11. Load Regulation (Vin=3.6V, Vout=9V)

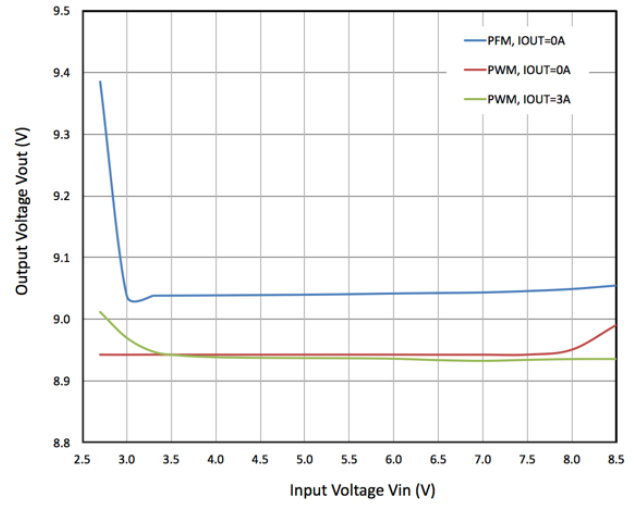
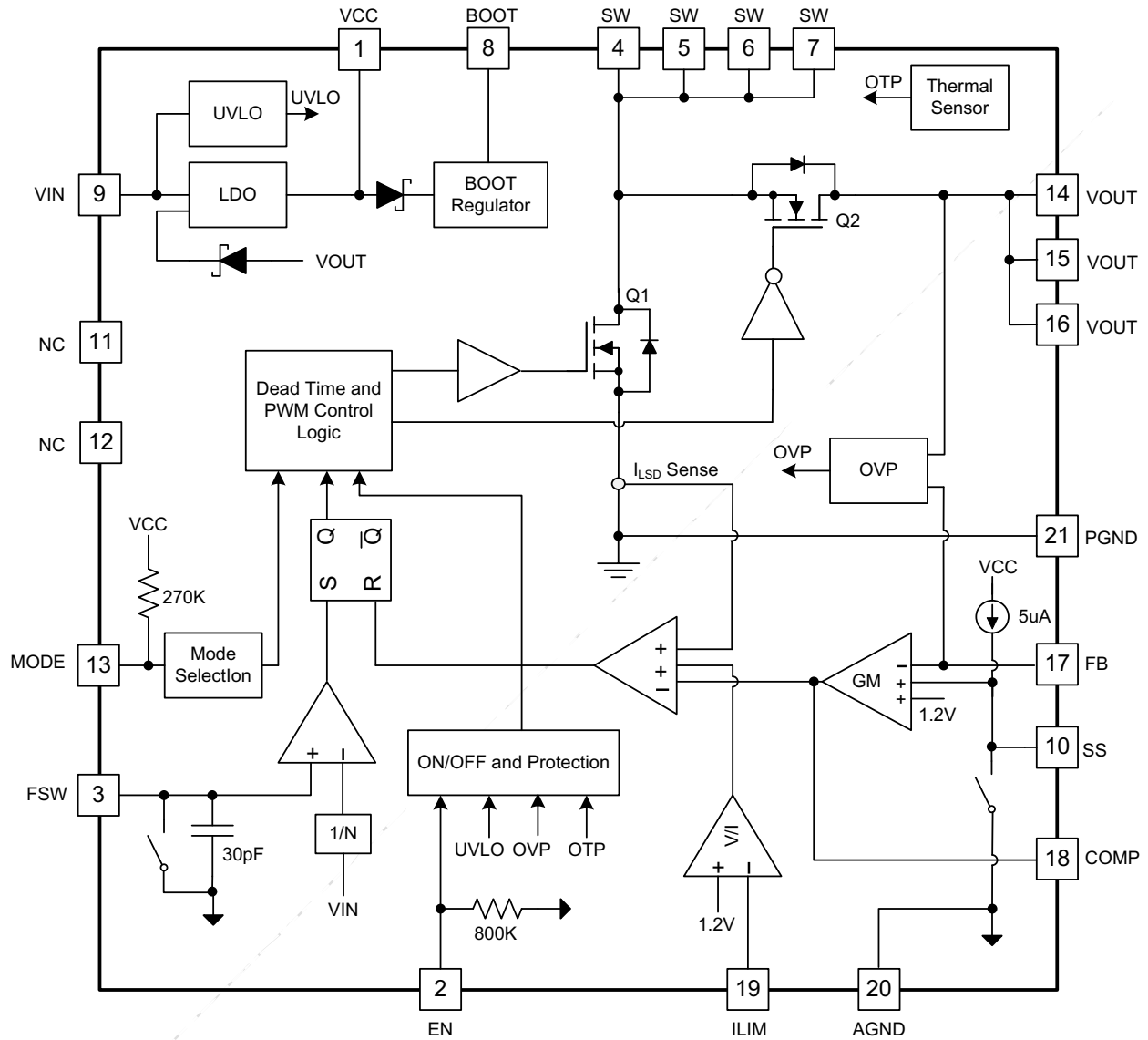


Figure 12. Line Regulation

CONFIDENTIAL Preliminary Data

FUNCTIONAL BLOCK DIAGRAM



OPERATION

Overview

The MST9229 device is a fully integrated synchronous boost converter, which regulates output voltage higher than input voltage. The constant off-time peak current mode control provides fast transient with pseudo fixed switching frequency. When low-side MOSFET Q1 turns on, input voltage forces the inductor current rise. When sensed voltage on low-side MOSFET peak current rises above the voltage of COMP, the device turns off low-side MOSFET and inductor current goes through body diode of high-side MOSFET Q2 during dead time. After dead time duration, the device turns on high-side MOSFET Q2 and the inductor current decreases. Based on V_{in} and V_{out} voltage, the device predicts required off-time and turns off high-side MOSFET Q2. This repeats on cycle-by-cycle based.

The negative voltage feedback loop regulates the FB voltage to a 1.2V reference with an internal trans-conductance error amplifier. The feedback loop stability and transient response are optimized through an external loop compensation network connected to the COMP pin.

The mode selection offers flexibility of design between forced Pulse Width Modulation (PWM) and Pulse Frequency Modulation (PFM) operations. When MODE pin is connected to VCC or floats, the MST9229 works at PFM mode to further increase the efficiency in light load condition. If MODE pin is connected to ground, the device works in forced PWM mode with low output voltage ripple.

The quiescent current of MST9229 is 110uA typical under no-load condition and not switching. Disabling the device, the typical supply shutdown current is 1uA.

A resistor connected between SW pin and the FSW pin sets the switching frequency. The wide switching frequency range of 200 kHz to 2.2 MHz offers optimization on efficiency or size of filter components.

The MST9229 device features adjustable soft-start time, cycle-by-cycle low-side FET current limit, over-voltage protection, and over-temperature protection.

The MST9229 uses two separate ground pins to avoid ground bouncing due to the high switching current through the N-channel power MOSFET. AGND pin sets the reference for all control functions. The source of the power MOSFET connects to PGND pin. Both grounds must be connected to the thermal pad on the PCB at the closest point.

VIN Power

The MST9229 is designed to operate from an input voltage supply range between 2.7 V to 14V. If the input supply is located more than a few inches from the converter, additional bulk capacitance may be required in addition to the ceramic bypass capacitors. A typical choice is an electrolytic or tantalum capacitor with a value of 47uF.

VCC Power

The internal VCC LDO provides the bias power supply for internal circuitries. A ceramic capacitor of no less than 1uF is required to bypass from VCC pin to ground. During starting up, input of VCC LDO is from VIN pin. Once the output voltage at VOUT pin exceeds VIN voltage, VCC LDO switches its input to VOUT pin. This allows higher voltage headroom of VCC at lower input voltage. The maximum current capability of VCC LDO is 130mA typical. No additional components or loading are recommended on this pin.

Under Voltage Lockout UVLO

The MST9229 features UVLO protection for voltage rails of VIN, VCC and BOOT-SW from the converter malfunction and the battery over discharging. The default VIN rising threshold is 2.6V typical at startup and falling threshold is 2.4V typical at shutdown. The internal VCC LDO dropout voltage is about 100mV and the device is disabled when VCC falling trips 2.1V typical threshold. The internal charge pump from BOOT to SW powers the gate driver to high-side MOSFET Q2. The BOOT UVLO circuit monitors the capacitor voltage between BOOT pin and SW pin. When the voltage of BOOT-SW falls below a preset threshold 3V typical, high-side MOSFET Q2 turns off. As a result, the device works as a non-synchronous boost converter.

Enable and Start-up

When applying a voltage higher than the EN high threshold (maximum 1.2V), the MST9229 enables all functions and starts converter operation. To disable converter operation, EN voltage needs fall below its lower threshold (minimum 0.4V). An internal 800KΩ resistor connects EN pin to the ground. Floating EN pin automatically disables the device.

The MST9229 features programmable soft start to prevent inrush current during power-up. SS pin sources an internal 5μA current charging an external soft-start capacitor C_{SS} when EN pin exceeds turn-on threshold. The device uses the lower voltage between the internal voltage reference 1.2V and the SS pin voltage as the reference input voltage of error amplifier and regulates the output. The soft-start completes when SS pin voltage exceeds the internal 1.2V reference. Use equation 1 to calculate the soft-start time (10% to 90%). When EN pin is pulled low to disable the device, the SS pin will be discharged to ground.

$$t_{SS} = \frac{C_{SS} * V_{REF}}{I_{SS}} \quad (1)$$

where

- t_{SS} is the soft start time
- V_{REF} is the internal reference voltage of 1.2V
- C_{SS} is the capacitance connecting to SS pin
- I_{SS} is the source current of 5uA to SS pin

Adjustable Switching Frequency

The MST9229 features adjustable switching frequency from 200kHz to 2.2MHz. To set the switching frequency, an external resistor between SW pin and FSW pin is a must to guarantee the proper operation. Use Equation 2 or the curves in Figure 5 to determine the resistance for a given switching frequency. To reduce the solution size, one would typically set the switching frequency as higher as possible, but need to consider the tradeoff of the thermal dissipation and minimum on time of low-side power MOSFET.

$$R_{FREQ} = \frac{6 * (\frac{1}{f_{SW}} - T_{DELAY} * \frac{V_{OUT}}{V_{IN}})}{C_{FREQ}} \quad (2)$$

where:

- f_{SW} is the desired switching frequency
- $T_{DELAY} = 90$ ns
- $C_{FREQ} = 34$ pF
- V_{IN} is the input voltage
- V_{OUT} is the output voltage

Adjustable Peak Current Limit

The MST9229 boost converter implements cycle-by-cycle peak current limit function with sensing the internal low-side power MOSFET Q1 during over current condition. While the Q1 is turned on, its conduction current is monitored by the internal sensing circuitry. Once the low-side MOSFET Q1 current exceeds the limit, it turns off immediately. An external resistor connecting ILIM pin to ground sets the low-side MOSFET Q1 peak current limit threshold. Use Equation 3 or Figure 6 to calculate the peak current limit.

$$I_{LIM} = \frac{12000}{R_{LIM}} \quad (3)$$

where:

- I_{LIM} is the peak current limit

- R_{LIM} is the resistance between ILIM pin to ground.

This current limit function is realized by detecting the current flowing through the low-side MOSFET. The current limit feature loses function in the output hard short circuit conditions. At normal operation, when the output hard shorts to ground, there is a direct path to short the input voltage through high-side MOSFET Q2 or its body diode even the Q2 is turned off. This could damage the circuit components and cause catastrophic failure at load circuit.

Once VIN is present, VOUT is moved to VIN level due to the direct path from input to output even when the device is shut down or the load is not ready. The presence of unwanted output voltage before system start up sequence could cause system latch off or malfunction.

Over Voltage Protection and Minimum On-time

The MST9229 features both VOUT pin over voltage protection and the FB pin over voltage protection. If the VOUT pin is above 15.4V typical or FB pin voltage exceeds 1.32V typical, the device stops switching immediately until the VOUT pin drops below 15.2 V or FB pin voltage drops below 1.26V. The OVP function prevents the connected output circuitry from un-predictive overvoltage. Featured feedback overvoltage protection prevents dynamic voltage spike to damage the circuitry at load during fast loading transient.

The low-side MOSFET has minimum on-time 150ns typical limitation. While the device is operating at minimum on time and further increasing Vin pushed output voltage beyond regulation point. With output and feedback over voltage protection, the converter skips pulse with turning off high-side MOSFET and prevents output running higher to damage the load.

Forced PWM and PFM Modes

Connecting MODE pin to ground, the MST9229 forces the device operating at forced Pulse Width Modulation (PWM) mode with pseudo-fixed switching frequency regardless loading current. Operating in PWM mode can avoid the possible audible noise caused by lower frequency in PFM mode at light load. When the load current approaches zero, the high-side MOSFET current crosses zero and sinks current from output to maintain the constant output. Hence power efficiency in light load is much lower than heavy load.

Floating MODE pin or connecting MODE pin to VCC, the MST9229 works at Pulse Frequency Modulation (PFM) mode to improve the power efficiency in light load. As the load current decreasing, the COMP pin voltage decreases as resulting the inductor current down. With the load current further decreasing, the COMP pin voltage decreases and be clamped to a voltage corresponding to the ILIM/12. The converter extends the off time of high-side MOSFET Q2 to reduce the average delivered current to output. The switching frequency is lower and varied depending on loading condition. In PFM mode, the peak inductor current is fixed at around 1A and the output voltage is regulated 0.7% higher than the setting output voltage. When the inductor current decreased to zero, zero-cross detection circuitry on high-side MOSFET Q2 forces the Q2 off until the beginning of the next switching cycle. The boost converter does not sink current from the load at light load.

Thermal Shutdown

Once the junction temperature in the MST9229 exceeds 150°C, the thermal sensing circuit stops switching until the junction temperature falling below 130C, and the device restarts. Thermal shutdown prevents the damage on device during excessive heat and power dissipation condition.

APPLICATION INFORMATION

Typical Application

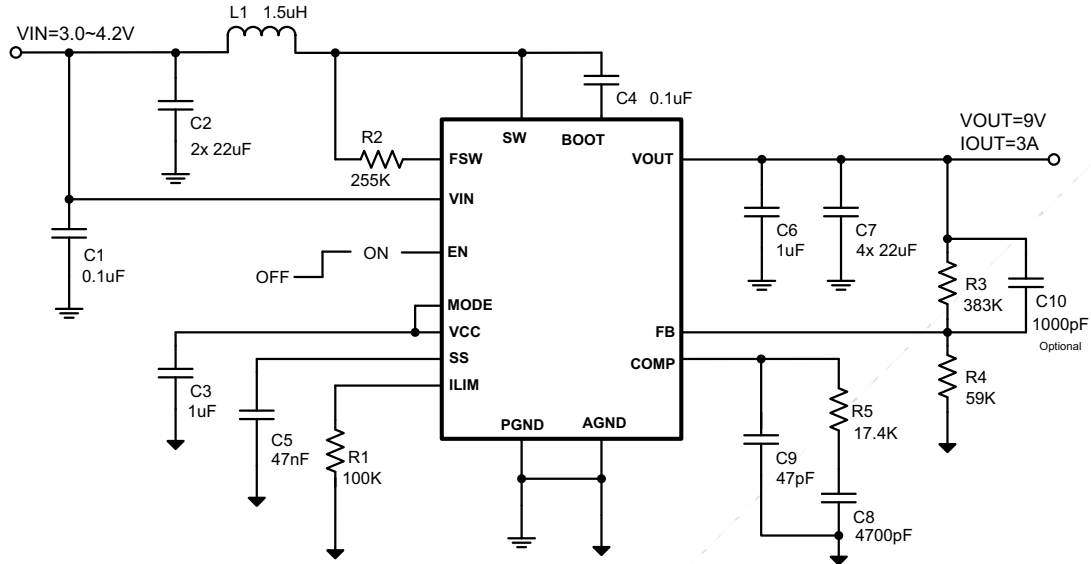


Figure 13. One Cell Battery Input, 9V/3A (30W) Output

Design Parameters

Design Parameters	Example Value
Input Voltage	3.0V to 4.2V
Output Voltage	9V
Output Current	3A
Output voltage ripple (peak to peak)	100mV
Switching Frequency	560 kHz
Operation Mode	PFM

Switching Frequency

The resistor connected from FSW to SW sets switching frequency of the converter. The resistor value required for a desired frequency can be calculated using equation 2. High frequency can reduce the inductor and output capacitor size with the tradeoff of more thermal dissipation and lower efficiency.

$$R_{FREQ} = \frac{6 * (\frac{1}{f_{SW}} - T_{DELAY} * \frac{V_{OUT}}{V_{IN}})}{C_{FREQ}}$$

where:

- f_{SW} is the desired switching frequency
- $T_{DELAY} = 90$ ns
- $C_{FREQ} = 34$ pF
- V_{IN} is the input voltage
- V_{OUT} is the output voltage

Table 1. R_{FSW} Value for Common Switching Frequencies (Vin=3.6V, Vout=9V, Room Temperature)

Fsw	R_{FSW}
200 KHz	768 K Ω
350 KHz	422 K Ω
520 KHz	287 K Ω
730 KHz	196 K Ω
1000 KHz	130 K Ω
2000 KHz	48.7 K Ω

Peak Current Limit

Using the correct external resistor at ILIM pin sets the peak input current. Table 2 shows the resistor value for inductor peak current limit. For a typical current limit of 12A, the resistor value is 100K Ω . The minimum current limit must be higher than the required peak switch current at lowest input voltage and the highest output power not to hit the current limit and still regulate the output voltage.

$$I_{LIM} = \frac{12000}{R_{LIM}}$$

where:

- I_{LIM} is the peak current limit
- R_{LIM} is the resistance of ILIM pin to ground

Table 2. R_{LIM} Value for Inductor Peak Current (Vin=3.6V, Vout=9V, L=1.5uH, Room Temperature)

I_{LIM}	R_{LIM}
13 A	100 K Ω
9 A	150 K Ω
7A	200 K Ω
5A	301 K Ω

Output Voltage

The output voltage is set by an external resistor divider R3 and R4 in typical application schematic. A minimum current of typical 20uA flowing through feedback resistor divider gives good accuracy and noise covering. The value of R3 can be calculated by equation 4.

$$R_3 = \frac{(V_{OUT} - V_{REF}) \times R_4}{V_{REF}} \quad (4)$$

where:

- V_{REF} is the feedback reference voltage, typical 1.2V

Table 3. Feedback Resistor R_3, R_4 Value for Output Voltage (Room Temperature)

V_{OUT}	R_3	R_4
5 V	187 K Ω	59 K Ω
9 V	383 K Ω	59 K Ω
12 V	536 K Ω	59 K Ω

Inductor Selection

The performance of inductor affects the power supply's steady state operation, transient behavior, loop stability, and boost converter efficiency. The inductor value, DC resistance, and saturation current influences both efficiency and the magnitude of the output voltage ripple. Larger inductance value reduces inductor current ripple and therefore leads to lower output voltage ripple. For a fixed DC resistance, a larger value inductor yields higher efficiency via reduced RMS and core losses. However, a larger inductor within a given inductor family will generally have a greater series resistance, thereby counteracting this efficiency advantage.

Inductor values can have $\pm 20\%$ or even $\pm 30\%$ tolerance with no current bias. When the inductor current approaches saturation level, its inductance can decrease 20% to 35% from the value at 0-A current depending on how the inductor vendor defines saturation. When selecting an inductor, choose its rated current especially the saturation current larger than its peak current during the operation.

To calculate the current in the worst case, use the minimum input voltage, maximum output voltage, maximum load current and minimum switching frequency of the application, while considering the inductance with -30% tolerance and low-power conversion efficiency.

For a boost converter, calculate the inductor DC current as in equation 5

$$I_{LDC} = \frac{V_{OUT} \times I_{OUT}}{V_{IN} \times \eta} \quad (5)$$

Where

- V_{OUT} is the output voltage of the boost converter
- I_{OUT} is the output current of the boost converter
- V_{IN} is the input voltage of the boost converter
- η is the power conversion efficiency

Calculate the inductor current peak-to-peak ripple, I_{LPP} , as in equation 6.

$$I_{LPP} = \frac{1}{L \times \left(\frac{1}{V_{OUT} - V_{IN}} + \frac{1}{V_{IN}} \right) \times f_{SW}} \quad (6)$$

Where

- I_{LPP} is the inductor peak-to-peak current
- L is the inductance of inductor
- f_{SW} is the switching frequency
- V_{OUT} is the output voltage
- V_{IN} is the input voltage

Therefore the peak switching current of inductor, I_{LPEAK} , is calculated as in equation 7.

$$I_{LPEAK} = I_{LDC} + \frac{I_{LPP}}{2} \quad (7)$$

Set the current limit of the MST9229 higher than the peak current I^{LPEAK} and select the inductor with the saturation current higher than the current limit.

The inductor's DC resistance (DCR) and the core loss significantly affect the efficiency of power conversion. Core loss is related to the core material and different inductors have different core loss. For a certain inductor, larger current ripple generates higher DCR and ESR conduction losses and higher core loss. Usually, a data sheet of an inductor does not provide the ESR and core loss information. If needed, consult the inductor vendor for detailed information. There is a tradeoff among the inductor's inductance, DCR and ESR resistance, and its footprint. Shielded inductors typically have higher DCR than unshielded inductors. Table 4 lists recommended inductors for the MST9229. Verify whether the recommended inductor can support the user's target application with the previous

calculations and bench evaluation. In this application, the WB's inductor CDMC8D28NP-1R2MC is used on MST9229 evaluation board.

Table 4. Recommended Inductors

Part Number	L (uH)	DCR Max (mΩ)	Saturation Current/Heat Rating Current (A)	Size Max (LxWxH mm)	Vendor
WE-HCI SMD 7443552150	1.5	5.3	17 / 14	10.5 x 10.2 x 4.0	WürthElektronix
CDMC8D28NP-1R2MC	1.2	7.0	12.2 / 12.	9.5 x 8.7 x 3.0	Sumida

Input Capacitor Selection

For good input voltage filtering, choose low-ESR ceramic capacitors. A 0.1μF ceramic bypass capacitor is recommended to be placed as close as possible to the VIN pin of the MST9229. A ceramic capacitor of more than 1.0μF is required at the VCC pin to get a stable operation of the internal LDO.

For the power stage, because of the inductor current ripple, the input voltage changes if there is parasite inductance and resistance between the power supply and the inductor. It is recommended to have enough input capacitance to make the input voltage ripple less than 100mV. Generally, 2x 22μF input capacitance is recommended for most applications. Choose the right capacitor value carefully considering high-capacitance ceramic capacitors DC bias effect, which has a strong influence on the final effective capacitance.

Output Capacitor Selection

For small output voltage ripple, choose a low-ESR output capacitor like a ceramic capacitor. Typically, 3~4x 22μF ceramic output capacitors work for most applications. Higher capacitor values can be used to improve the load transient response. Due to a capacitor's derating under DC bias, the bias can significantly reduce capacitance. Ceramic capacitors can lose most of their capacitance at rated voltage. Therefore, leave margin on the voltage rating to ensure adequate effective capacitance. From the required output voltage ripple, use the equation 8 and 9 to calculate the minimum required effective capacitance, C_{OUT}.

$$V_{ripple_C} = \frac{(V_{OUT} - V_{IN_MIN}) \times I_{OUT}}{V_{OUT} \times f_{SW} \times C_{OUT}} \quad (8)$$

$$V_{ripple_ESR} = I_{Lpeak} \times ESR \quad (9)$$

where

- V_{ripple_C} is output voltage ripple caused by charging and discharging of the output capacitor.
- V_{ripple_ESR} is output voltage ripple caused by ESR of the output capacitor.
- V_{IN_MIN} is the minimum input voltage of boost converter.
- V_{OUT} is the output voltage.
- I_{OUT} is the output current.
- I_{Lpeak} is the peak current of the inductor.
- f_{SW} is the converter switching frequency.
- ESR is the ESR resistance of the output capacitors.

Loop Stability

An external loop compensation network comprises resistor R5, ceramic capacitors C8 and C9 connected to the COMP pin to optimize the loop response of the converter. The power stage small signal loop response of constant off time with peak current control can be modeled by equation 10.

$$G_{PS}(S) = \frac{R_{load} \times (1 - D)}{2 \times R_{SENSE}} \times \frac{\left(1 + \frac{s}{2\pi \times f_{ESRZ}}\right) \left(1 + \frac{s}{2\pi \times f_{RHPZ}}\right)}{1 + \frac{s}{2\pi \times f_P}} \quad (10)$$

where

- D is the switching duty cycle.
- R_{load} is the output load resistance.
- R_{SENSE} is the equivalent internal current sense resistor, which is 0.08 Ω .

$$f_P = \frac{1}{2\pi \times R_{load} \times C_O} \quad (11)$$

where

- C_O is the output capacitance

$$f_{PESRZ} = \frac{1}{2\pi \times ESR \times C_O} \quad (12)$$

where

- ESR is the equivalent series resistance of the output capacitor.

$$f_{PESRZ} = \frac{R_{load} \times (1 - D)^2}{2\pi \times L} \quad (13)$$

The COMP pin is the output of the internal trans-conductance amplifier. Equation 14 shows the small signal transfer function of compensation network.

$$G_C(S) = \frac{G_{EA} \times R_{EA} \times V_{REF}}{V_{OUT}} \times \frac{\left(1 + \frac{s}{2\pi \times f_{COMZ}}\right)}{\left(1 + \frac{s}{2\pi \times f_{COMP1}}\right) \left(1 + \frac{s}{2\pi \times f_{COMP2}}\right)} \quad (14)$$

where

- G_{EA} is the amplifier's trans-conductance
- R_{EA} is the amplifier's output resistance
- V_{REF} is the reference voltage at the FB pin
- V_{OUT} is the output voltage
- f_{COMP1} , f_{COMP2} are the poles' frequency of the compensation network.
- f_{COMZ} is the zero's frequency of the compensation network.

The next step is to choose the loop crossover frequency, f_C . The higher frequency that the loop gain stays above zero before crossing over, the faster the loop response is. It is generally accepted that the loop gain cross over no higher than the lower of either 1/10 of the switching frequency, f_{SW} , or 1/5 of the RHPZ frequency, f_{RHPZ} .

Then set the value of R5, C8, and C9 in typical application circuit by following these equations.

$$R_5 = \frac{2\pi \times V_{OUT} \times R_{SENSE} \times f_C \times C_O}{(1 - D) \times V_{REF} \times G_{EA}} \quad (15)$$

where

- f_C is the selected crossover frequency.

$$C_8 = \frac{R_{load} \times C_O}{2 \times R_5} \quad (16)$$

$$C_9 = \frac{ESR \times C_O}{R_5} \quad (17)$$

If the calculated value of C9 is less than 10pF, it can be left open. Designing the loop for greater than 45° of phase margin and greater than 10-dB gain margin eliminates output voltage ringing during the line and load transient.

Application Waveforms

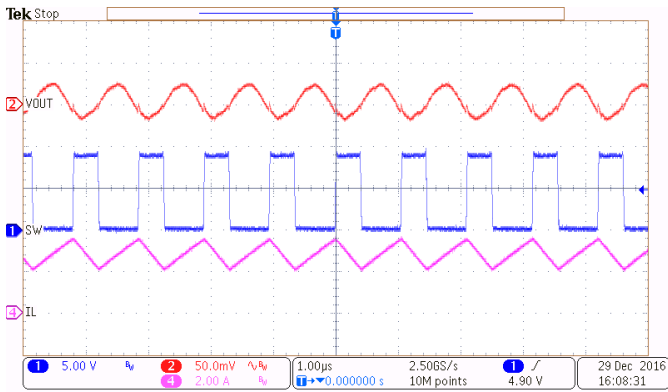


Figure 14. Switching Waveforms and Output Ripple in PWM

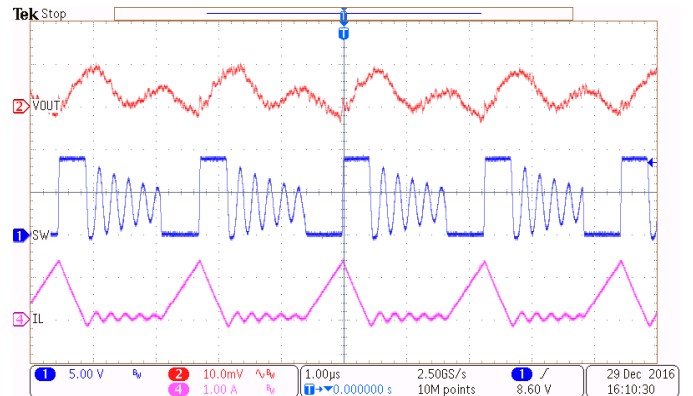


Figure 15. Switching Waveforms and Output Ripple in DCM

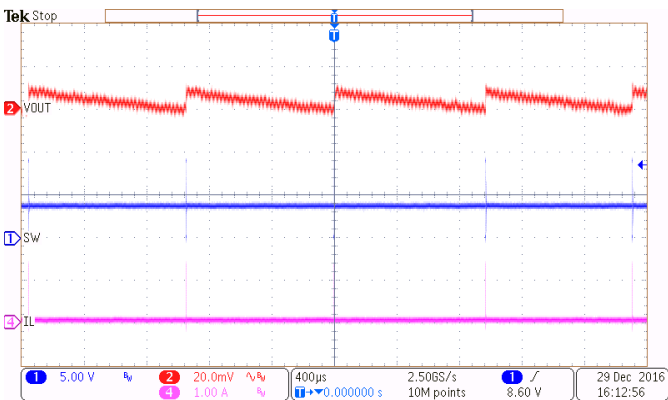


Figure 16. Switching Waveforms in PFM

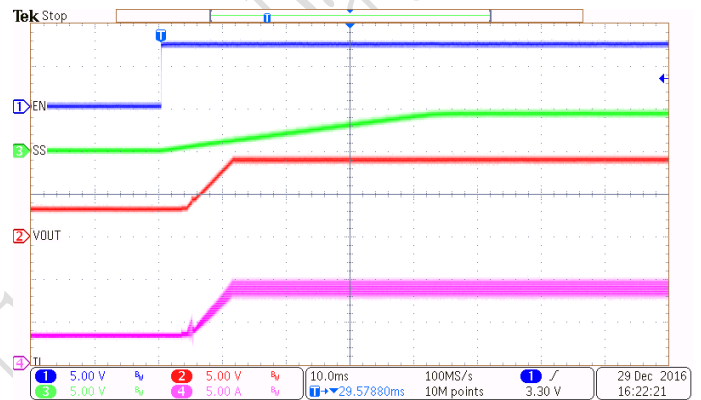


Figure 17. Power Up

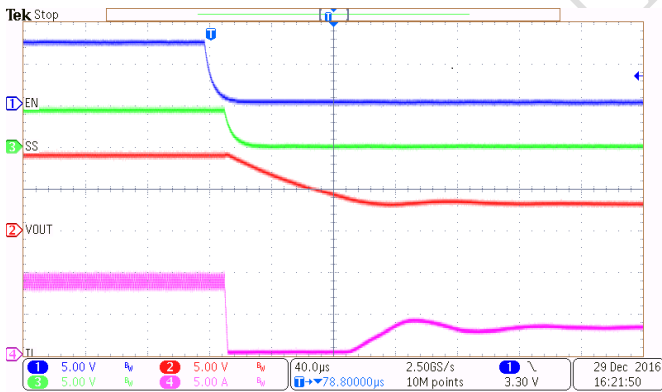


Figure 18. Power Down

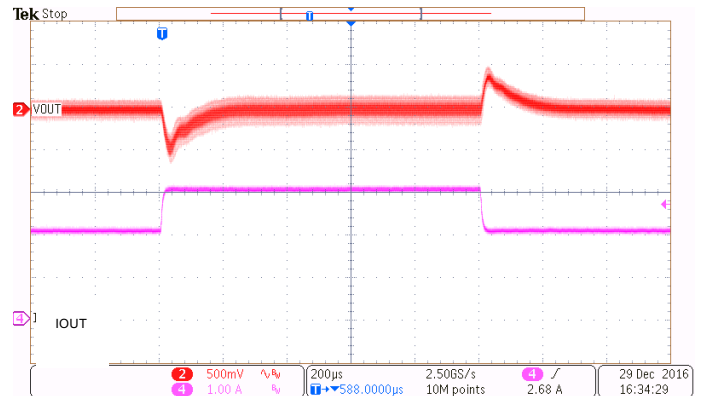


Figure 19. Load Transient (Vout=9V, Iout=2A to 3A, SR=250mA/us)

Layout Guideline

The regulator could suffer from instability and noise problems without careful layout of PCB. Radiation of high-frequency noise induces EMI, so proper layout of the high-frequency switching path is essential. Minimize the length and area of all traces connected to the SW pin, and always use a ground plane under the switching regulator to minimize coupling. The input capacitor needs to be close to the VIN pin and GND pin to reduce the input supply ripple. Place capacitor C6 as close to VOUT pin as possible to reduce high frequency ringing voltage on SW pin.

The layout should also be done with well consideration of the thermal. A thermal pad of package should be soldered to the large ground plate, using multiple thermal vias underneath the thermal pad. The bottom layer is a large ground plane connected to the PGND plane and AGND plane on top layer by vias

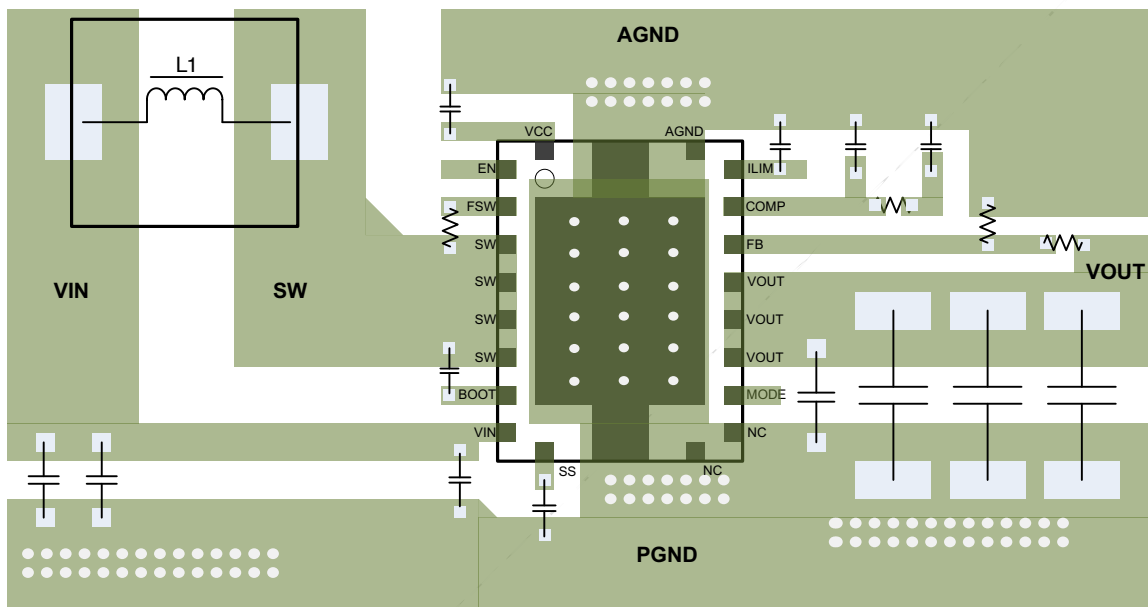


Figure 19. PCB Layout Example Bottom Layer

Thermal Considerations

The maximum IC junction temperature should be restricted to 125°C under normal operating conditions. Calculate the maximum allowable dissipation, $P_{D(max)}$, and keep the actual power dissipation less than or equal to $P_{D(max)}$. The maximum-power-dissipation limit is determined using Equation 18.

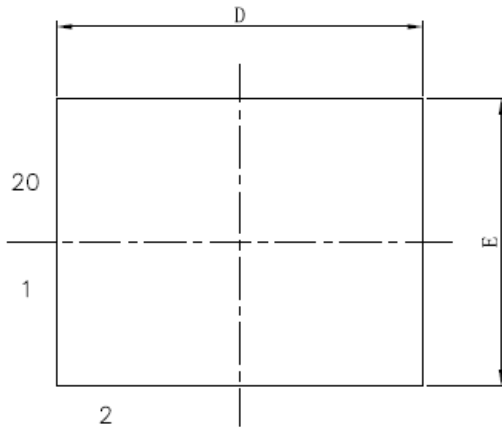
$$P_{D(MAX)} = \frac{125 - T_{C_A}}{R_{\theta JA}} \quad (18)$$

where

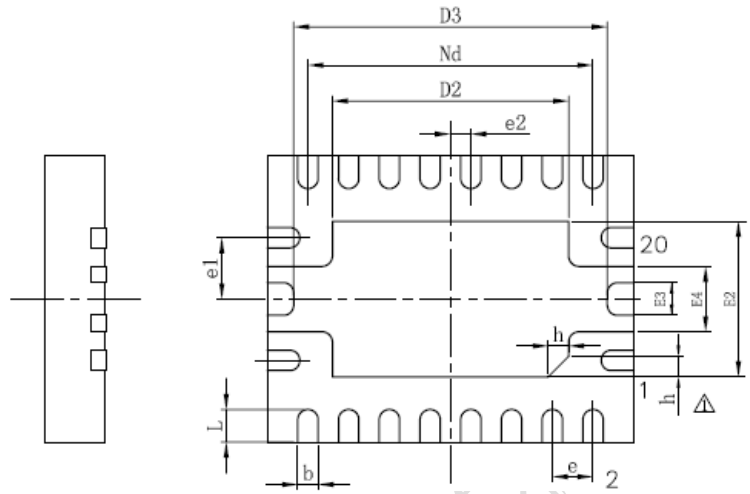
- T_A is the maximum ambient temperature for the application.
- $R_{\theta JA}$ is the junction-to-ambient thermal resistance given in the Thermal Information table.

MST9229 DFN package includes a thermal pad that improves the thermal capabilities of the package. The real junction-to-ambient thermal resistance $R_{\theta JA}$ of the package greatly depends on the PCB type, layout, thermal pad connection and environmental factor. Using thick PCB copper and soldering the thermal pad to a large ground plate enhance the thermal performance. Using more vias connects the ground plate on the top layer and bottom layer around the IC without solder mask also improves the thermal capability.

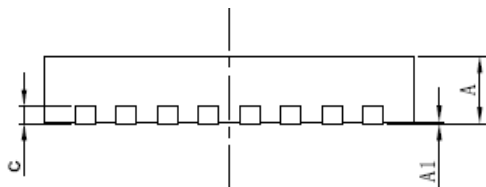
PACKAGE INFORMATION



TOP VIEW



BOTTOM VIEW



SIDE VIEW

NOTE:

1. Drawing proposed to be made a JEDEC package outline MO-220 variation.
2. Drawing not to scale.
3. All linear dimensions are in millimeters.
4. Thermal pad shall be soldered on the board.
5. Dimensions of exposed pad on bottom of package do not include mold flash.
6. Contact PCB board fabrication for minimum solder mask web tolerances between the pins.

SYMBOL	Unit: Millimeter		
	MIN	TYP	MAX
A	0.70	0.75	0.8
A1	—	0.01	0.05
b	0.18	0.25	0.30
c	0.18	0.20	0.25
D	4.40	4.50	4.60
D2	3.10	3.20	3.30
D3	3.85REF		
e	0.50BSC		
e1	0.75BSC		
e2	0.25BSC		
Nd	3.50BSC		
E	3.40	3.50	3.60
E2	2.10	2.20	2.30
E3	0.35REF		
E4	0.75REF		
L	0.35	0.40	0.45
h	0.20	0.25	0.30